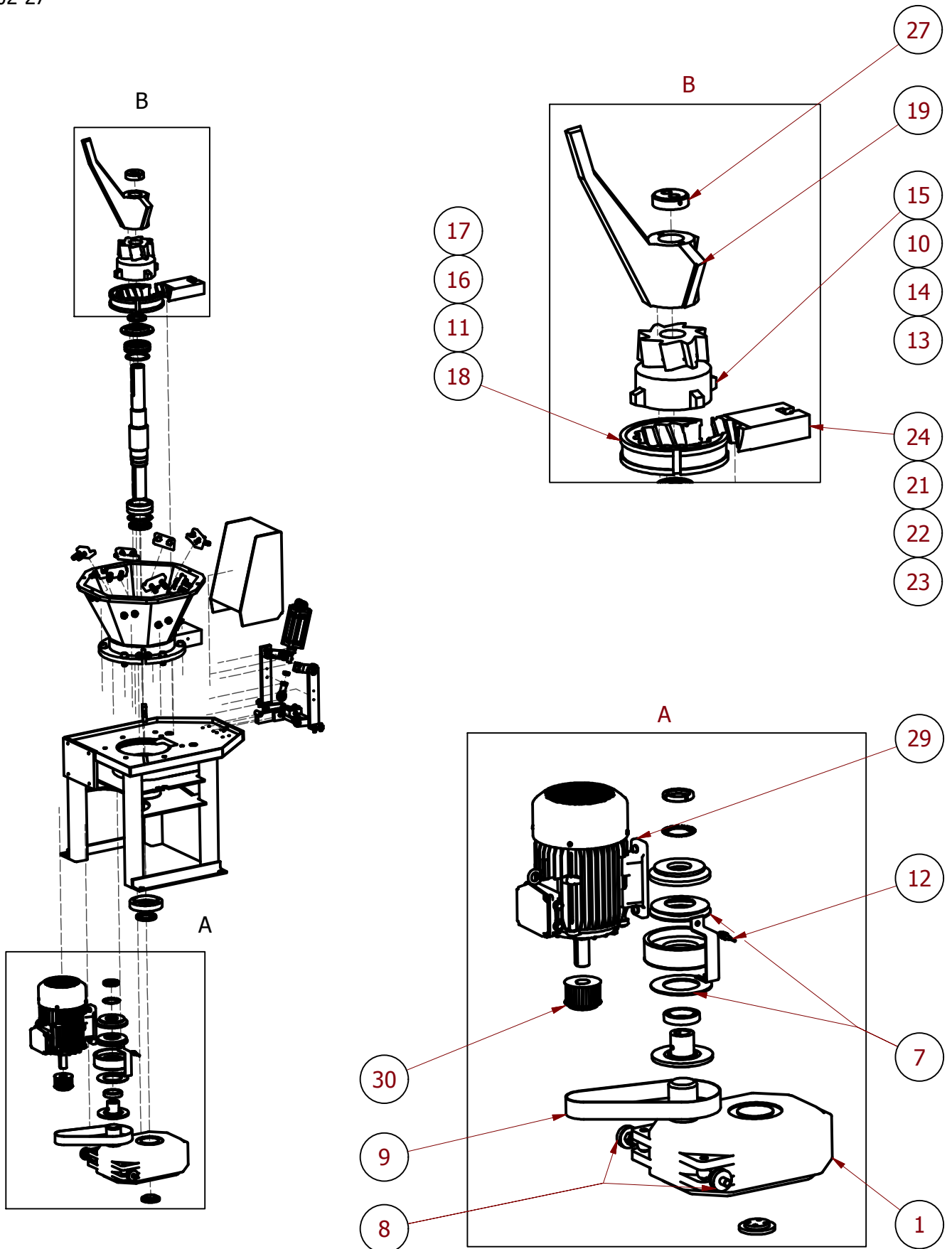
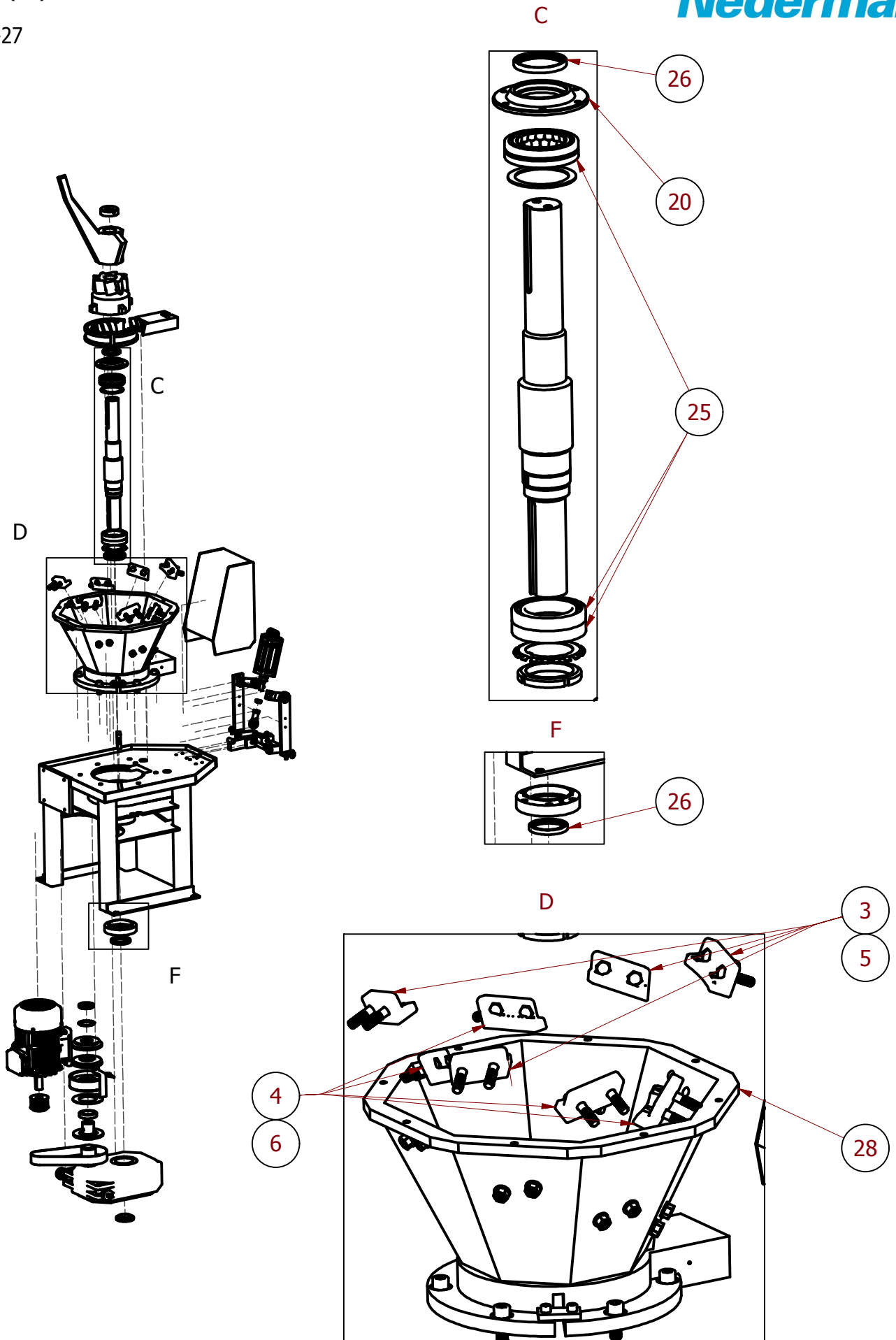
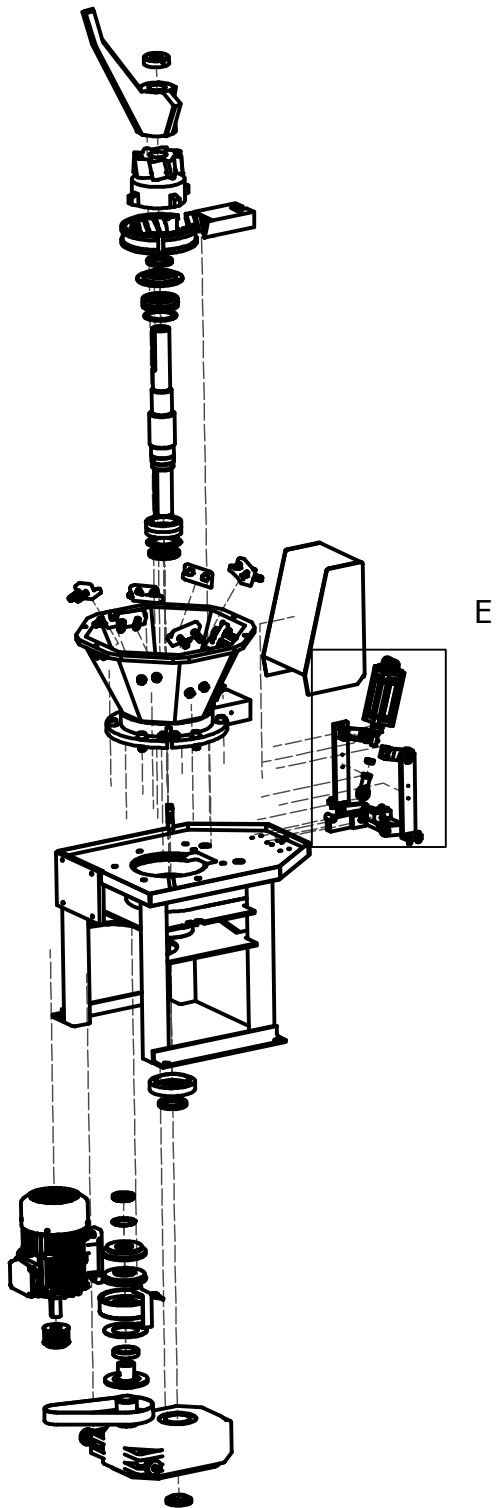


KB10

Spare Parts List - Lista części zamiennych - Reservdelista -
ErsatzteillisteListe de pieces detachées - Lista de recambios

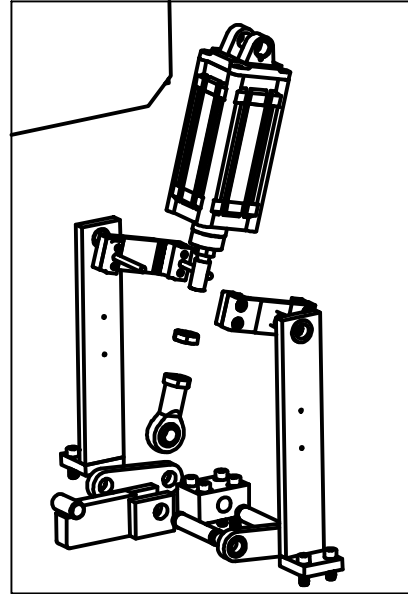


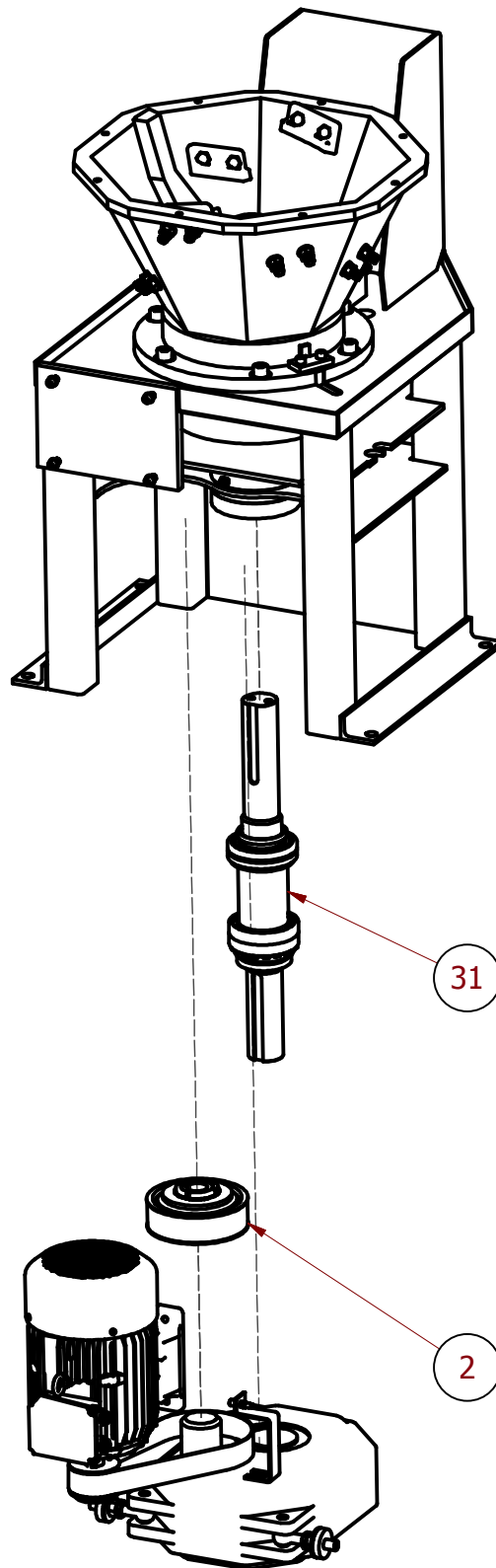




E

E





No.	Qty	Item number	Description	Part type
31	1	76374671	Shaft (complete incl. bearing)	Spare part
30	1	76374667	Pulley (motor)	Spare part
29	1	76374666	Motor 7,5 kW (400v 3-ph 50 Hz)	Spare part
28	1	76374661	Lower Hopper, casted	Wear part
27	1	73002127	KB10/KB20 Shaft upper washer	Spare part
26	1	76376337	KB10/KB20 Set of sealings	Spare part
25	1	76374672	KB10/KB20 Set of bearings	Spare part
24	1	76374663	KB10/KB20 Segment, std	Wear part
23	1	76376752	KB10/KB20 Segment, hardened	Wear part
22	1	76375211	KB10/KB20 Segment, fine	Wear part
21	1	73002156	KB10/KB20 Segment fine, hardened	Wear part
20	1	73000497	KB10/KB20 Lock driving	Spare part
19	1	76374662	KB10/KB20 Feeder arm, std	Wear part
18	1	76374660	KB10/KB20 Crusher ring, std	Wear part
17	1	76376751	KB10/KB20 Crusher ring, hardened	Wear part
16	1	76375203	KB10/KB20 Crusher ring, fine	Wear part
15	1	76374664	KB10/KB20 Crusher head, std	Wear part
14	1	76376750	KB10/KB20 Crusher head, hardened	Wear part
13	1	76375205	KB10/KB20 Crusher head, fine	Wear part
12	1	73000293	KB10/20 Rotation Sensor	Spare part
11	1	73002155	KB10/20 Crusher ring, fine, hardened	Wear part
10	1	73002154	KB10/20 Crusher head, fine, hardened	Wear part
9	1	76374668	KB10 Timing Belt	Spare part
8	1	76376370	KB10 Rubber washer (set)	Spare part
7	1	76375209	KB10 Disc (2 pcs)	Wear part
6	1	73000246	KB10 Cutter set; Low; 4 PCS; Hardened	Wear part
5	1	73000247	KB10 Cutter set; High; 4 PCS; Hardened	Wear part
4	1	76374665	KB10 Cutter set - low (4 pcs)	Wear part
3	1	76375207	KB10 Cutter set - high (4 pcs)	Wear part
2	1	76375220	KB10 Clutch complete	Spare part
1	1	76374669	Gear unit	Spare part